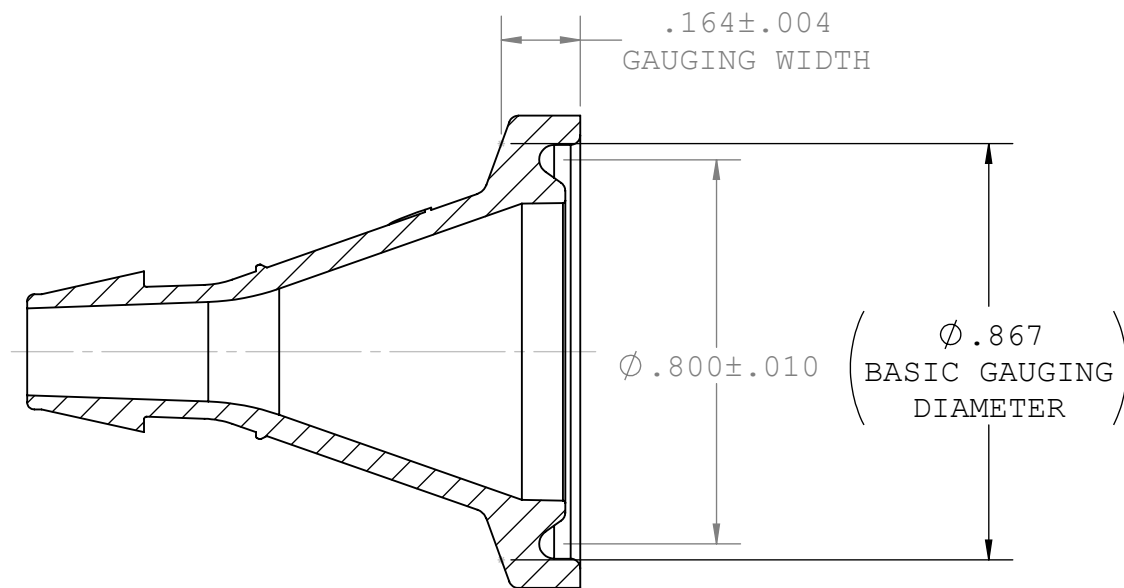
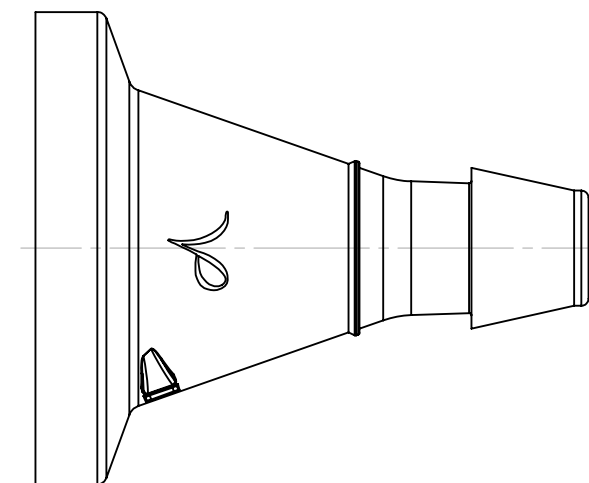
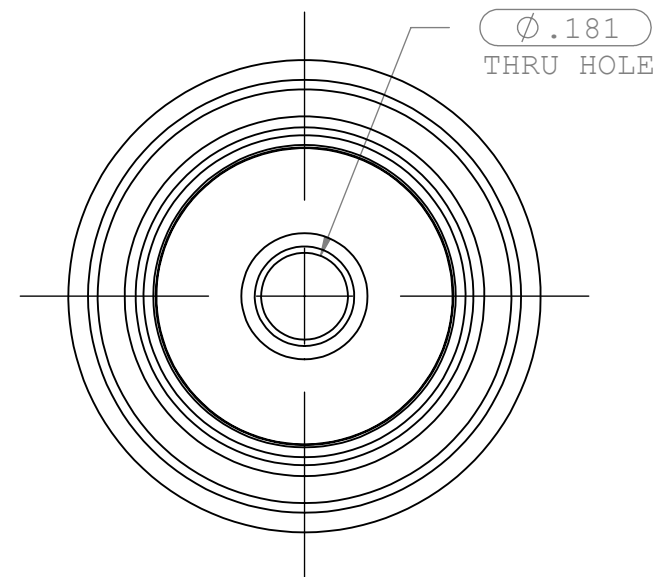
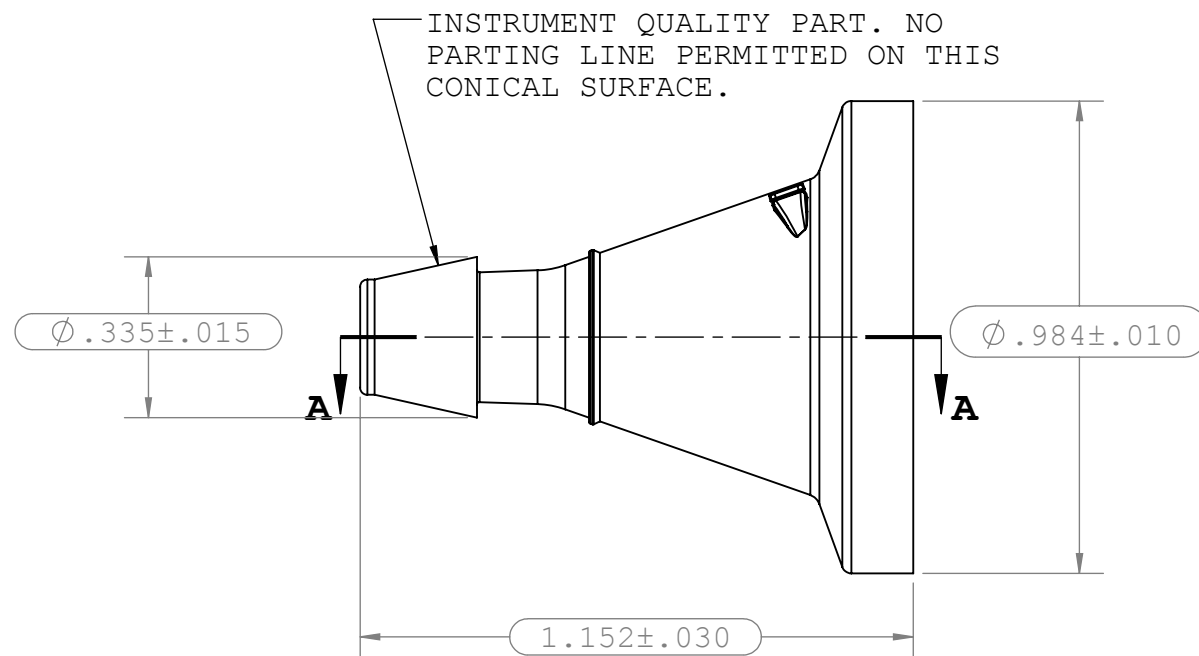
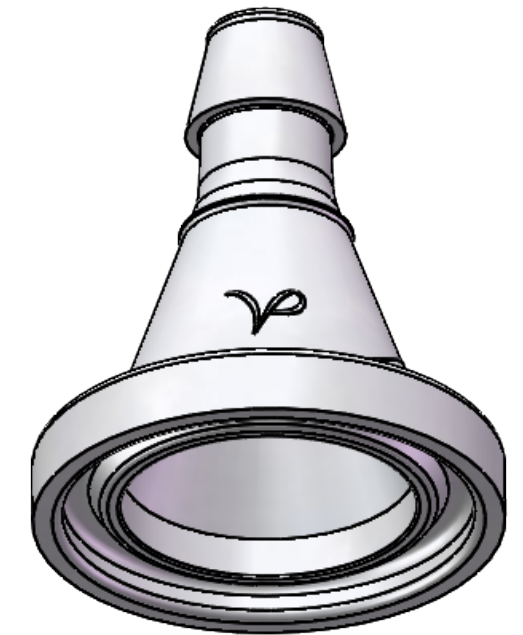


REVISIONS			
REV.	DESCRIPTION	DATE	APPROVED
B	ECO 248	10-11-13	S.N.R
C	ECO 313	03-08-17	FJL
D	ECO 313 GATE CHANGE	05-10-17	FJL



SECTION A-A



- NOTES:
- FOR ADDITIONAL DETAILS, PLEASE CONTACT VP PRODUCT DEVELOPMENT
 - DIMENSIONS MARKED $\text{---}\ast\text{---}$ ARE CONTROL DIMENSIONS
 - ALL EXTERIOR SURFACES HAVE A MAXIMUM OF 20 Ra MICROINCH SURFACE FINISH
 - ALL INTERIOR SURFACES HAVE A MAXIMUM OF 15 Ra MICROINCH SURFACE FINISH
 - VALUE PLASTICS SFMN SERIES FERRULES ARE DESIGNED TO COMPLY WITH ASME BPE-2014 TABLE DT-7-1 HYGIENIC CLAMP FERRULE STANDARD DIMENSIONS & TOLERANCES; DT-9.3-1 HYGIENIC CLAMP FERRULE: DESIGN CRITERIA. REF PM-4.6.1.2. PERFORMANCE NOTE.
 - ALL INTERIOR AND EXTERIOR SURFACE FINISHES COMPLY WITH ASME BPE-2016 TABLE SF-3.4-1 SFP2 Ra Readings for Polymeric Product Contact Surfaces

UNLESS OTHERWISE SPECIFIED DIMENSIONS ARE IN INCHES TOLERANCES ARE:		VALUE PLASTICS, INC			
FRACTIONS	DECIMAL				
± .XX	± .01	± 1°			
± .XXX	± .005				
± .XXXX	± .001				
DO NOT SCALE DRAWING					
DRAWN BY: marcl	DATE: 5/10/2017	SIZE: B	SCALE: NTS	VER:	DWG. NO. 1013769
NEW PRODUCT DEVELOPMENT MGR: R. Narayanan		© 2007 VALUE PLASTICS, INC			REV D
				SHEET: 1 OF 1	

FOR REFERENCE ONLY